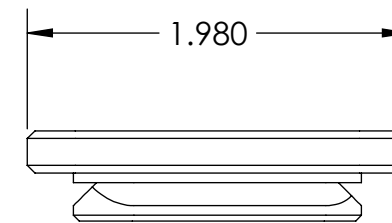
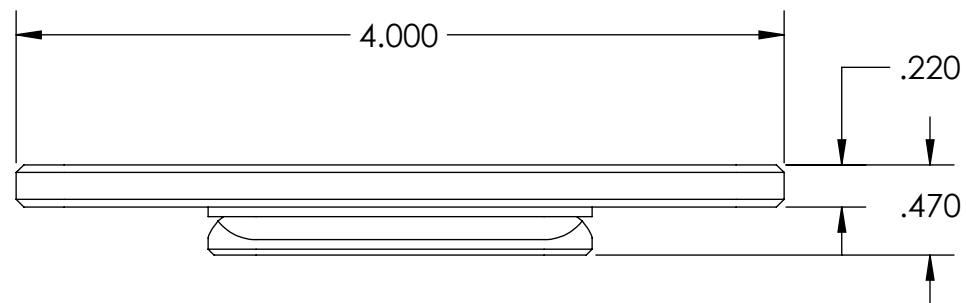
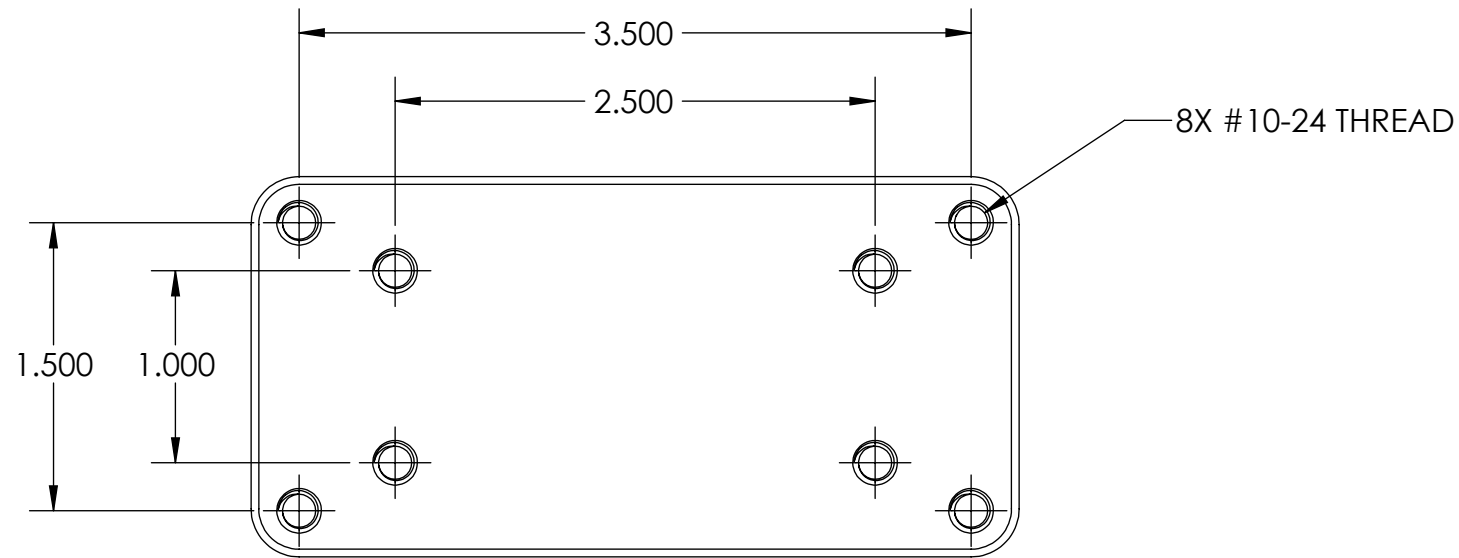


4

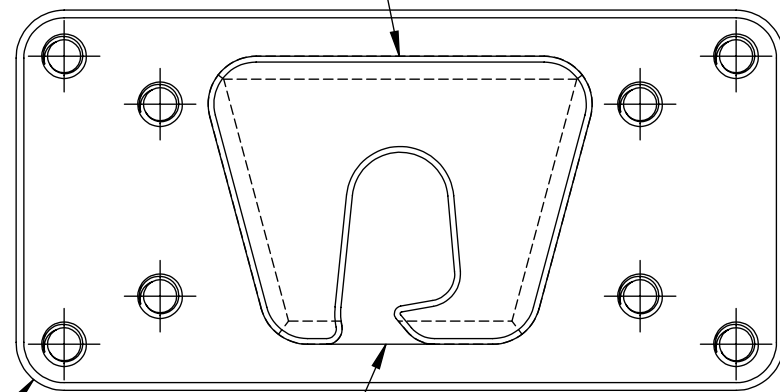
3

2

1



MOUNT FISH FINDER WITH THIS SIDE POINTING TOWARDS FRONT OF BOAT



MOUNT FISH FINDER WITH THIS SIDE POINTING TOWARDS BACK OF BOAT

REMOVE ALL BURRS

PROPRIETARY AND CONFIDENTIAL
THE INFORMATION CONTAINED IN THIS DRAWING IS THE SOLE PROPERTY OF WRENGINEERING, INC. ANY REPRODUCTION IN PART OR AS A WHOLE WITHOUT THE WRITTEN PERMISSION OF WRENGINEERING, INC. IS PROHIBITED.

UNLESS OTHERWISE SPECIFIED:
ALL THREADS ARE FORMED.
DIMENSIONS ARE IN INCHES.
TOLERANCES ARE AS FOLLOWS:
FRACTIONAL ± 1/16
ANGULAR: MACH ± 2 BEND ± 5
TWO PLACE DECIMAL ± .010
THREE PLACE DECIMAL ± .002

MATERIAL
6061-T6 ALUMINUM
FINISH
CLEAR OR BLACK ANODIZE
DO NOT SCALE DRAWING

	NAME	DATE
DRAWN	CWREN	3/5/20
CHECKED		
ENG APPR.		
MFG APPR.		
Q.A.		

STOCK SIZE:

WRENGINEERING, INC.
498 E. Harcourt Rd. , Angola, IN 46703 Ph. 260-665-9095

TITLE:
HELIX 5 & 7 PLATE

SIZE	DWG. NO.	REV
B	FFP-1	
SCALE: 1:1	WEIGHT:	SHEET 1 OF 1

B

B

A

A

4

3

2

1