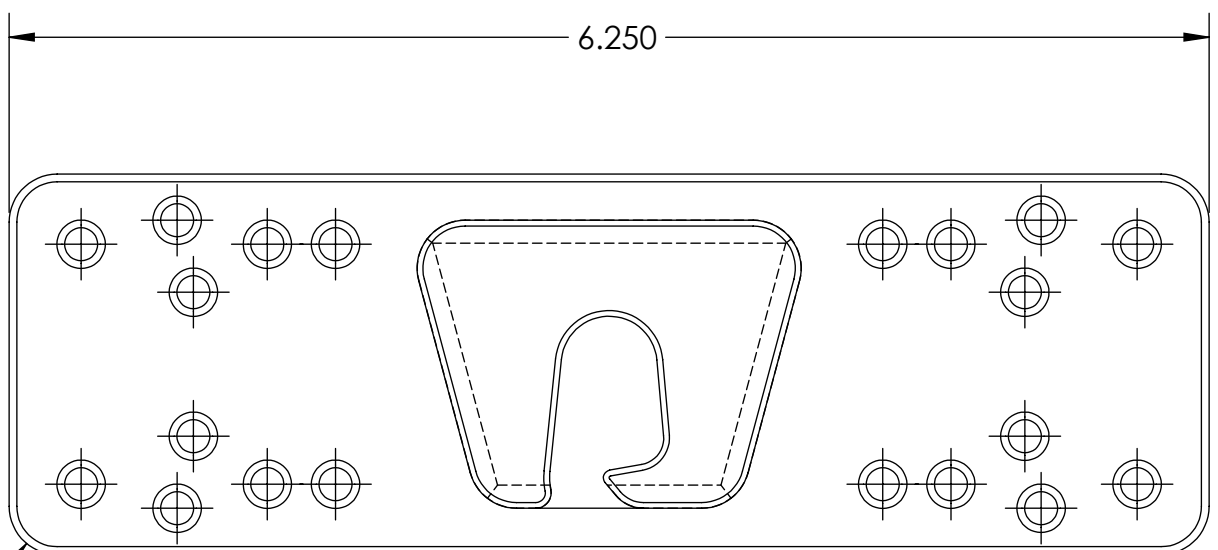
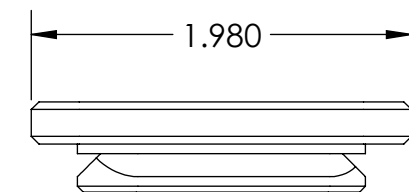
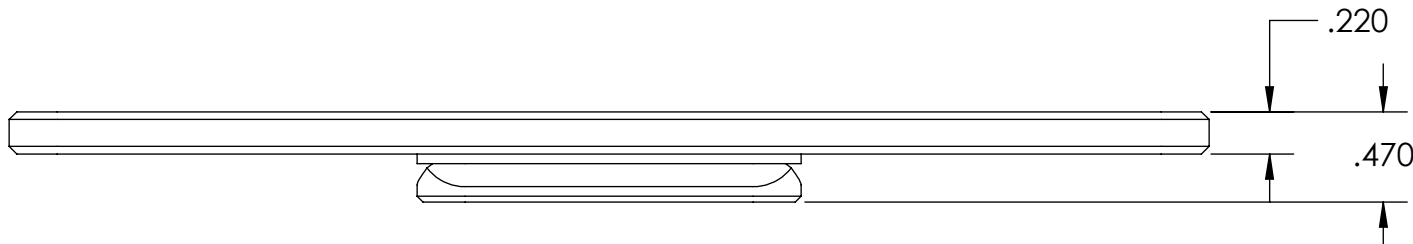
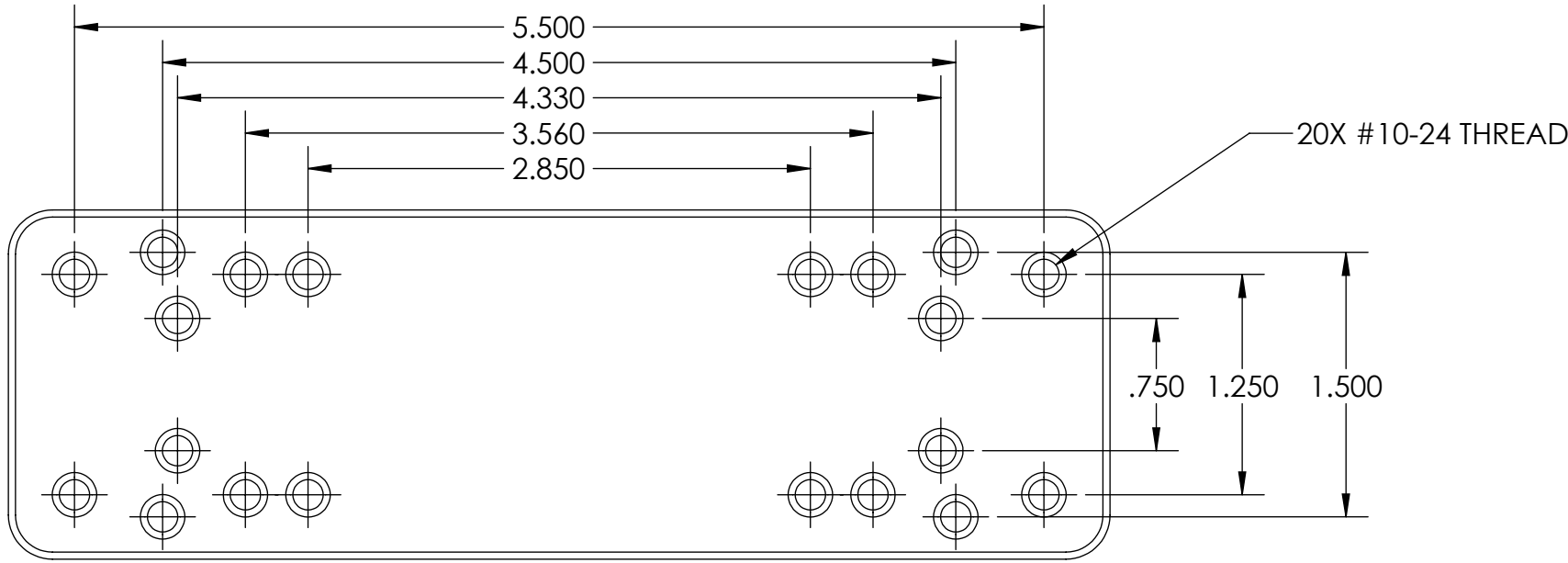


4

3

2

1



R.250

REMOVE ALL BURRS

**PROPRIETARY AND CONFIDENTIAL**  
THE INFORMATION CONTAINED IN THIS DRAWING IS THE SOLE PROPERTY OF WREENGINEERING, INC. ANY REPRODUCTION IN PART OR AS A WHOLE WITHOUT THE WRITTEN PERMISSION OF WREENGINEERING, INC. IS PROHIBITED.

UNLESS OTHERWISE SPECIFIED:

ALL THREADS ARE FORMED.  
DIMENSIONS ARE IN INCHES.  
TOLERANCES ARE AS FOLLOWS:  
FRACTIONAL  $\pm 1/16$   
ANGULAR: MACH  $\pm 2$  BEND  $\pm 5$   
TWO PLACE DECIMAL  $\pm .010$   
THREE PLACE DECIMAL  $\pm .002$

MATERIAL 6061-T6 ALUMINUM

FINISH CLEAR OR BLACK ANODIZE

DO NOT SCALE DRAWING

	NAME	DATE
DRAWN	CWREN	3/5/20
CHECKED		
ENG APPR.		
MFG APPR.		
Q.A.		

STOCK SIZE:

**WREENGINEERING, INC.**

498 E. Harcourt Rd., Angola, IN 46703 Ph. 260-665-9095

TITLE:  
**UNIVERSAL MARINE PLATE**

SIZE	DWG. NO.	REV
------	----------	-----

<b>B</b>	<b>FFP-2</b>	
----------	--------------	--

SCALE: 1:1	WEIGHT:	SHEET 1 OF 1
------------	---------	--------------

4

3

2

1

B

B

A

A